



Universal Ringlight, A08690.1 (new clamp style)



Universal Ringlight A08600 (classic clamp style)



Vertical Exit Universal Ringlight, A08620



Ringlight Clamp Ring, A08611

Universal Ringlights

For 33 to 81 mm Objective Diameters

SCHOTT ringlights emit intense, uniform, and shadow-free illumination for Machine Vision and Microscopy applications.

Standard Features

- Fits microscope and camera objectives from 33 to 81 mm depending on the manufacturers' model number. See chart below. Select ringlight part number based on objective diameters.
- Working distance is 1.5" to 6" (38 to 152 mm)
- 33" (838 mm) bundle length on all models
- The ringlight body is made of rugged, black anodized aluminum and the fiber bundle is protected with flexible PVC covered metal tubing.
- Two unique clamping/mounting systems for precise positioning. Most ringlights fit directly onto the microscope and camera objective without adapters. See Support Apparatus for Ringlights section of the product catalog for details (07.31.08).
- Input fits all ColdVision light sources. Ringlights can be used with other manufacturer's continuous light sources. Adapters may be required.
- Use ringlights with our Dichroic color filters, diffusers, polarizer/analyzers, and reflector rings for alternative lighting effects.
- Vertical exit bundle option increases work space and prevents the bundle from interfering with surrounding objects.
- Modified standard and custom ringlights are also available for your unique requirements.

Universal Ringlight

Part No.	Standard Exit	Vertical Exit	Minimum Working Distance	Objective diameter Camera and Microscope	Mounting	Polarizer/System Analyzer
A08600	X		1.5"	47 to 62 mm	Clamps (classic)	A08615
A08690	X		1.5"	33 to 81 mm	Clamps (new)	A08615
A08620		X	1.5"	47 to 62 mm	Clamps	A08615



Mini Ringlight, A08650



4" Ringlight, A08700



8" Ringlight, A08710

Midi, Mini and Maxi Ringlights

For 19 to 53 mm Objective Diameters

SCHOTT ringlights emit intense, uniform, and shadow-free illumination for Machine Vision and Microscopy applications.

Mini Features

- Fit microscope and camera objectives from 19 to 32.5 mm.
- Working distance is .5" to 4" (13 to 102).

Midi Features

- Fit microscope and camera objectives from 38 to 53 mm.
- Working distance is 1.25" to 3.5" (32 to 89)*.

Midi & Mini Ringlight Features

- Thumbscrew mounting system for precise positioning. Ringlights fit directly on most microscope and camera objectives without adapters. For instances when adapters are necessary, see the Accessories section of the catalog.
- Vertical exit bundle option increases work space and prevents the bundle from interfering with surrounding objects.
- The ringlight body is made of rugged, black anodized aluminum. The fiber bundle is protected with flexible PVC covered metal tubing.

4" Ringlight

- Fiber ring diameter is 4.5" (114*).
- Working distance ranges from 2" to 8" (51 to 203).
- Light exits at 40 degree angle for specular-free illumination.
- Randomized fiber bundle maximizes uniformity.
- The ringlight body is made of rugged, black anodized aluminum and the fiber bundle is protected with flexible PVC covered metal tubing.

8" Ringlight

- Low Profile ringlights for working distances from 2.5" to over 4.5 (64 to 114)
- #1/4-20 mounting threads in the coupler (front and top).
- The ringlight body is made of rugged, black anodized aluminum and the fiber bundle is protected with stainless steel tubing.

Maxi Ringlights					
Part No.	ID	OD	Working Distance	Bundle Length	Polarizer/ Analyzer
A08700	4" (102)	9.98" (127)	2" - 8" (51 - 203)	30" (762)	A08705
A08710	7.5" (191)	8.95" (227)	2.5" - 4.5" (64 - 114)*	40" (1016)	A08712

Mini Ringlights				
Part No.	Standard Exit	Vertical Exit	Working Distance	Polarizer/ Analyzer
A08650	X		.5" - 1.5" (13 - 38)	A08632
A08660^	X		1.5" - 4" (38 - 102)*	A22032
A08670^		X	1.5" - 4" (38 - 102)*	A08627

Midi Ringlights				
Part No.	Standard Exit	Vertical Exit	Working Distance	Polarizer/ Analyzer
A08630	X		1.25" - 3.5" (32 - 89)*	A08632
A08635		X	1.25" - 3.5" (32 - 89)*	A22032

Use ringlights with our Dichroic color filters, diffusers, and polarizers for alternative lighting effects. Maci Ringlights will require an adapter, part number A08931, due to the size of the input.

^ 29% more fiber than A08650 ringlight
*Dimensions in () are in mm

Midi, Mini & Maxi Ringlights

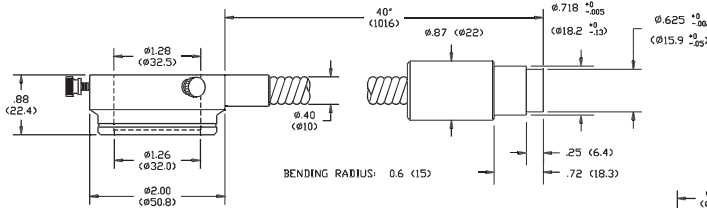
Dimensions in () are in mm

Ringlight Input: Black Anodized Aluminum or Conductive Finish

Bundle Sheathing: PVC Covered Metal Tubing or Stainless Steel

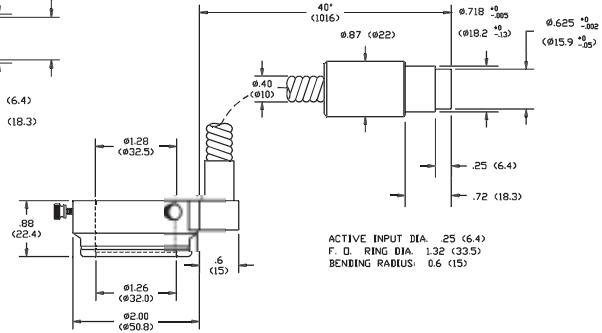
Product improvements may result in specification or feature changes without notice.

Warning: This product is manufactured with glass fiber. Not for use in cable/hose carrier. Call SCHOTT to discuss moving cable/hose carrier applications.

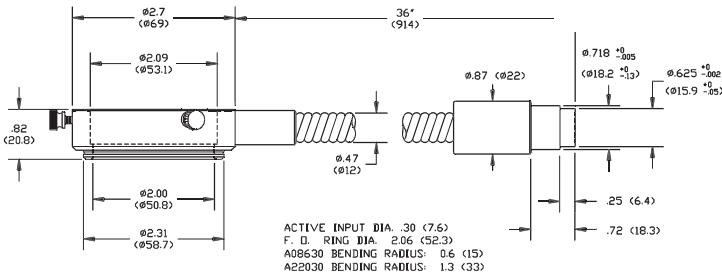


Note:
A08650 has an active fiber dia. of .22 (5.6) for a working distance of .5 to 1.5" (13 to 38mm).
A08660 has an active fiber dia. of .25 (6.4) for a working distance of 1.5 to 4" (38 to 102mm).
Both have F. D. ring dia. of 1.32 (33.5).

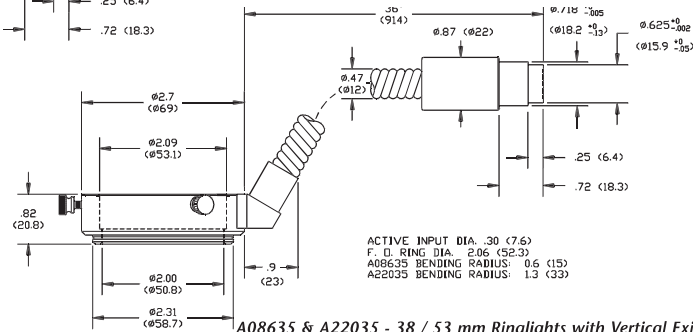
A08650 - A08660 - 19 / 32.5 mm Ringlights



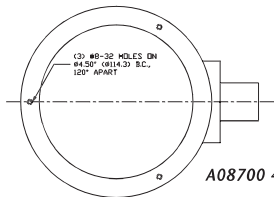
A08670 - 19 / 32.5 mm Ringlight with Vertical Exit



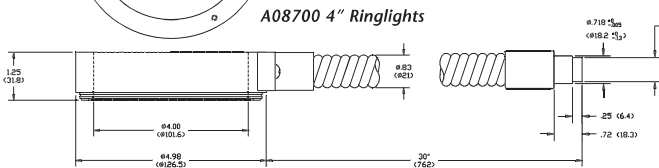
A08630 & A22030 - 38 / 53 mm Ringlights



A08635 & A22035 - 38 / 53 mm Ringlights with Vertical Exit



A08700 4" Ringlights



Note:
A08710 - V.D. from 2.5" (64) BENDING RADIUS: 3.25 (83)
A08715 - V.D. from 4.5" (114) BENDING RADIUS: 3.25 (83)
Active fiber dia. of .65 (16.5)
F. D. ring dia. of 7.78 (197.6)

A08710 8" Ringlights

Lighting and Imaging
SCHOTT North America, Inc.
122 Charlton Street
Southbridge, MA 01550
USA
Phone: +1 508/765-9744
Fax: +1 508/764-6273
E-mail: lightingimaging@us.schott.com
www.us.schott.com/lightingimaging

SCHOTT
glass made of ideas



Ringlight, A22040 with Retaining Ring



Ringlight, A22050

58 mm Ringlights

Designed to fit Nikon SMZ and Leica S4E and S6E microscopes.

Standard Features

- Working distance is 1.5" to 6" (38 to 152).
- 33" (838) bundle length on all models.
- The ringlight body is made of rugged, black anodized aluminum and the fiber bundle is protected with flexible PVC covered metal tubing except the ESD (Electro Static Discharge) models.
- ESD ringlights are made conductive by replacing the black anodized finish with a conductive finish and the PVC metal tubing with stainless steel tubing. Each ringlight is checked for conductivity from inner body to light source adapter.
- Vertical exit bundle increases work space and prevents the bundle from interfering with surrounding objects.
- Retaining ring mounting for the A22040 ringlight offers secure positioning.
- Thumbscrew clamping/mounting system for precise positioning on the A22050 & A22060 models. Ringlights fit directly onto microscope and camera objectives without adapters.
- A22050 and A22060 ringlights will fit on all auxiliary lenses for the S4E and S6E microscopes.
- Use ringlights with our Dichroic color filters, diffusers, polarizer/analyzers, and reflector rings for alternative lighting effects.
- Modified standard and custom ringlights are also available for all your unique requirements.

58 mm Ringlights				
Part No.	ESD	Objective Diameter	Mounting System	Polarizer/Analyzer
A22040*		Nikon SMZ 645/660	Retaining Ring	Custom
A22050		Leica S4E/S6E	Thumbscrew	Custom
A22060	X	Leica	Thumbscrew	Custom

*The A22040 ringlight has a tapered ring diameter to use with SMZ 645/660 microscope.

A retaining ring is used for mounting instead of a thumbscrew

58 mm Ringlights

Dimensions in () are in mm

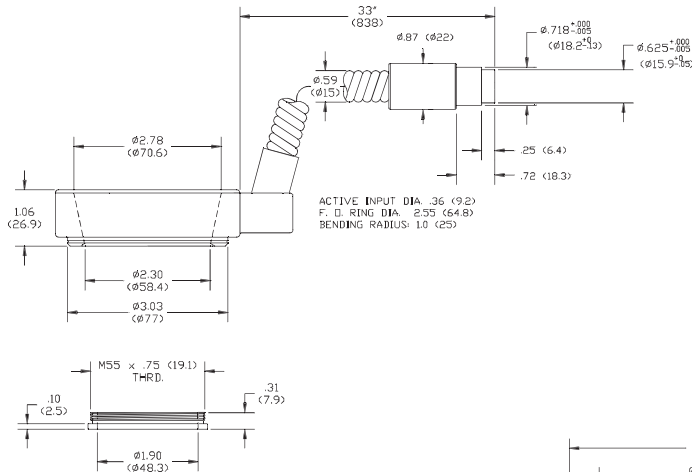
Ringlight Input: Black Anodized Aluminum or Conductive Finish

Bundle Sheathing: PVC Covered Metal Tubing or Stainless Steel

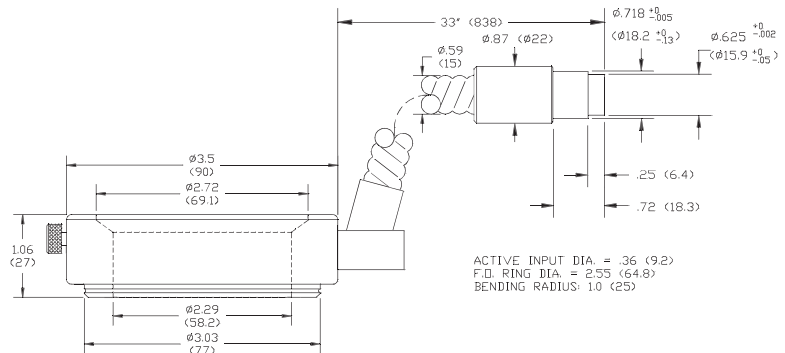
Working Distance: 1.5" to 6" (38 to 152)

Product improvements may result in specification or feature changes without notice.

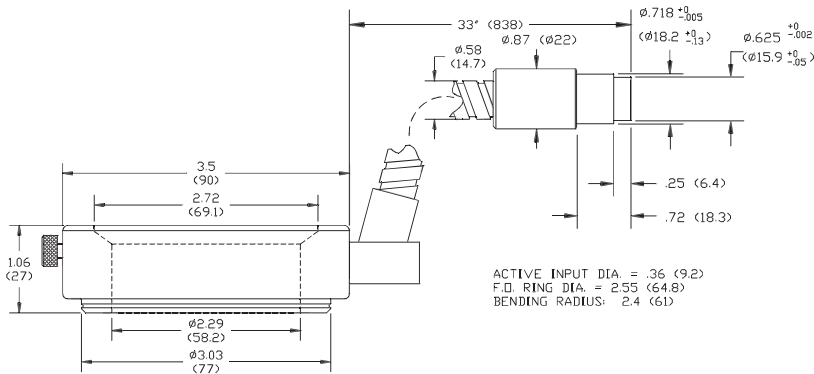
Warning: This product is manufactured with glass fiber. Not for use in cable/hose carrier. Call SCHOTT to discuss moving cable/hose carrier applications.



A22040 - Ringlight with Vertical Exit and Retaining Ring for Nikon SMZ 645/660 Microscopes



A22050 - Ringlight with Vertical Exit for Leica S4E/S6E Microscopes



A22060 - ESD Ringlight with Vertical Exit for Leica S4E/S6E Microscopes

Lighting and Imaging

SCHOTT North America, Inc.

122 Charlton Street

Southbridge, MA 01550

USA

Phone: +1 508/765-9744

Fax: +1 508/764-6273

E-mail: lightingimaging@us.schott.com

www.us.schott.com/lightingimaging

SCHOTT
glass made of ideas



66 mm Ringlight, A08625



ESD 66 mm Ringlight (custom)



Vertical Exit 66 mm Ringlight, A08680

66 mm Ringlights

For intense, uniform, and shadow-free illumination.

Standard Features

- Ringlights fit 66 mm microscope and camera objectives. Also shown on this sheet is a tapered inner-body ringlight for the Nikon SMZ 645/600 microscope. See model number A22040^.
- Working distance is 1.5" to 6" (38 to 152).
- 33" (838) bundle length on all models.
- The ringlight body is made of rugged, black anodized aluminum and the fiber bundle is protected with flexible PVC covered metal tubing except the ESD (Electro Static Discharge) models.
- ESD ringlights are made conductive by replacing the black anodized finish with a conductive finish and the PVC metal tubing with stainless steel tubing. Each ringlight is checked for conductivity from inner body to light source adapter. (Available custom)
- Thumbscrew clamping/mounting system for precise positioning (except for model number A22040). Ringlights fit directly onto most microscope and camera objectives without adapters.
- Clamp rings for the Universal ringlights also fit the 66 mm ringlights for use with a different diameter objective microscope or with the Ringlight Holder. (See the Support Apparatus for Ringlights section of the catalog for more information.)
- Input fits all ColdVision light sources. Ringlights can be used with other manufacturer's continuous light sources. Adapters may be required.
- Use ringlights with our Dichroic color filters, diffusers, polarizer/analyzers and reflector rings for alternative lighting effects.
- Modified standard and custom ringlights are also available for all your unique requirements.

66 mm Ringlights						
Part No.	Standard Exit	Vertical Exit	ESD	Objective Diameter	Mounting System	Polarizer/Analyzer
A08625	X			66 mm	Thumbscrew	A08615*
A08680		X		66 mm	Thumbscrew	A08615*
Custom			X	66 mm	Thumbscrew	N/A

* If using the A08626 adapter, use A08627 polarizer/analyzer

66 mm Ringlights

Dimensions in () are in mm

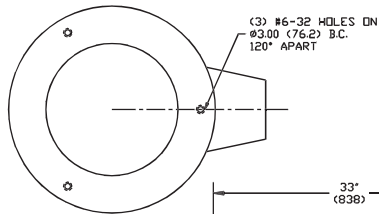
Product improvements may result in specification or feature changes without notice.

Ringlight Input: Black Anodized Aluminum or Conductive Finish

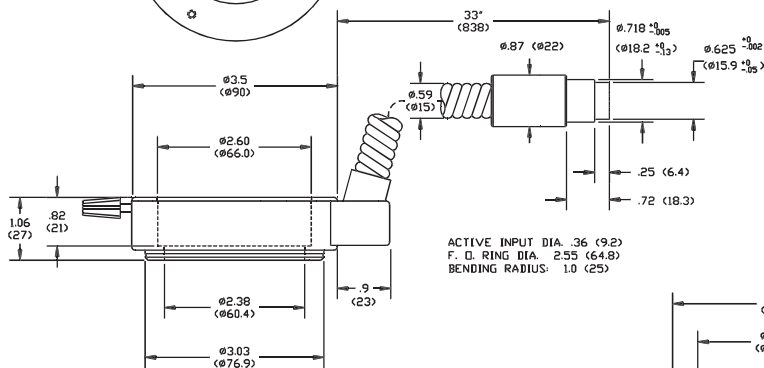
Bundle Sheathing: PVC Covered Metal Tubing or Stainless Steel

Working Distance: 1.5" to 6" (38 to 152)

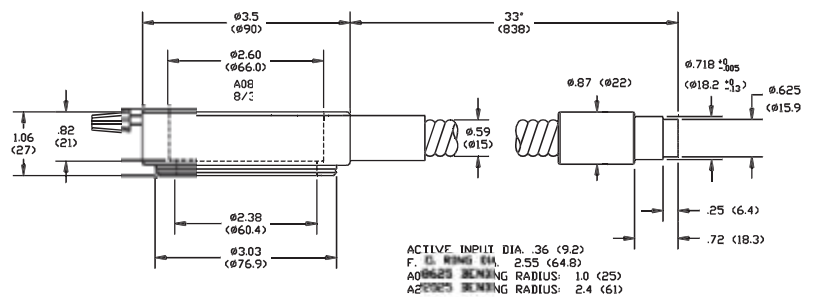
Warning: This product is manufactured with glass fiber. Not for use in cable/hose carrier. Call SCHOTT to discuss moving cable/hose carrier applications.



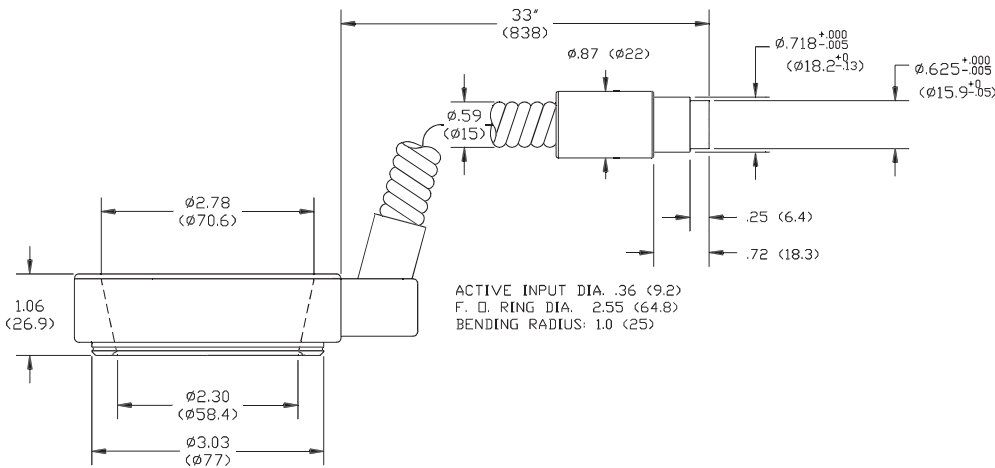
Mounting Hole Locations for A08625, A22025 & A08680



A08680 - 66 mm Ringlight with Vertical Exit



A08625 - 66 mm Ringlights



A22040 - Nikon SMZ 645/660 Ringlight with Vertical Exit and Retaining Ring

Lighting and Imaging

SCHOTT North America, Inc.

122 Charlton Street

Southbridge, MA 01550

USA

Phone: +1508/765-9744

Fax: +1508/764-6273

E-mail: lightingimaging@us.schott.com

www.us.schott.com/lightingimaging

SCHOTT
glass made of ideas